

INLINE FILTERS

Inline Filters					
Part No.	Inlet/Outlet	Filter Element	Microns	Max Pressure	Max Flow (m ³ /h)
715-FST120-034	3/4"	Screen	130	10 bar	6
715-FDT120-034	3/4"	Disc	130	10 bar	5
715-FST120-100	1"	Screen	130	10 bar	7
715-FDT120-100	1"	Disc	130	10 bar	6
715-FST120-112	1 1/2"	Screen	130	8 bar	15
715-FDT120-112	1 1/2"	Disc	130	8 bar	14
715-FST120-200	2"	Screen	130	8 bar	22
715-FDT120-200	2"	Disc	130	8 bar	20



In-line filters with option of mesh screen or disc strainer to reduce containments in water. Housings are made from robust plastic with heavy duty lock ring for simple cartridge release and servicing without requiring tools. The 1 1/2" and 2" housings have two 1/4" male ports and all models have 3/4" male bottom port.

The Disc filter uses plastic discs with fine groves, when the cartridge is removed, the discs come apart to dislodge sediment and be cleaned. The stainless mesh screen has plastic frame for strength and is simple to clean.

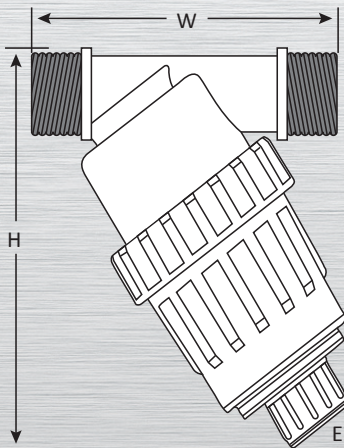


Diagram 120-034 and 120-100

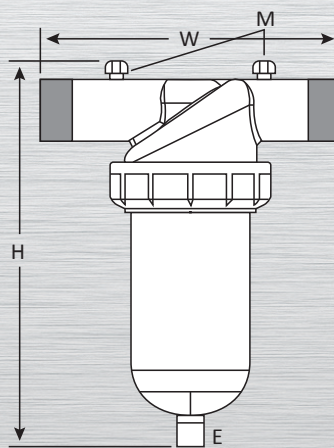


Diagram 120-112 and 120-200

DIMENSIONS				
Model No.	E	M	H	W
120-034	3/4"	-	163	125
120-100	3/4"	-	168	134
120-112	3/4"	1/4"	328	205
120-200	3/4"	1/4"	341	222

For more enquiry please contact Argon Distributors: 0508 634 341