

XMxA25L2135

pressure switch XMx 25 bar - adjustable scale
2 thresholds - 1 C/O



Main

Range of product	OsiSense XM
Pressure sensor type	Electromechanical pressure sensor
Pressure sensor name	XMx
Pressure sensor size	25 Bar
Contacts type and composition	1 C/O snap action
Controlled fluid	Air (0...70 °C) Fresh water (0...70 °C) Sea water (0...70 °C)
Fluid connection type	G 1/4 (female) conforming to ISO 228
Cable entry	2 entries tapped for Pg 13.5 cable gland conforming to NF C 68-300
Electrical connection	Screw-clamp terminals, clamping capacity: 1 x 1...2 x 2.5 mm ²
Electrical circuit type	Control circuit
[In] rated current	3 A (Ue = 120 V), AC-15, B300 1.5 A (Ue = 240 V), AC-15, B300 0.1 A (Ue = 250 V), DC-13, R300
Setting	Internal
Colour of cover	Black opaque
Pressure switch type of operation	Regulation between 2 thresholds
Scale type	Fixed differential
Local display	Without
Enclosure material	PC impregnated with Lexan 500R
Adjustable range of switching point on rising pressure	3.5...25 Bar
Adjustable range of switching point on falling pressure	0.1...20.5 Bar
Pressure actuator	Diaphragm
Possible differential minimum at high setting	4.5 Bar
Possible differential minimum at low setting	3.4 Bar
Destruction pressure	100 Bar
Materials in contact with fluid	Canvas covered nitrile Chromated zinc alloy
Maximum permissible accidental pressure	56.25 Bar

Complementary

Height	126 Mm
Width	57 Mm
Depth	97.5 Mm
Operating position	Any position
Maximum permissible pressure - per cycle	31.25 Bar
Short-circuit protection	10 A cartridge fuse, type gG (gl)
Maximum operating rate	10 Cyc/Mn

Information provided in this documentation contains general descriptions and/or technical characteristics of the performance of the products contained herein. It is not intended as a substitute for and is not to be used for determining suitability or reliability of these products for specific user applications. The user shall be responsible for performing the appropriate and complete risk analysis, evaluation and testing of the products with respect to the relevant specific application or use thereof. Schneider Electric Industries SAS nor any of its affiliates or subsidiaries shall be responsible or liable for misuse of the information contained herein.

[Uimp] rated impulse withstand voltage	6 KV EN/IEC 60947-1
Electrical durability	1000000 Cycles, 50/60 Hz, AC-15, 240 V / 3 A, lth = 10 A
Mechanical durability	1000000 Cycles
Repeat accuracy	3.5 %
Net weight	0.65 Kg

Environment

Standards	CE EN/IEC 60947-5-1
Product certifications	UL CSA CCC
Ambient air temperature for operation	-25...70 °C
Ambient air temperature for storage	-40...70 °C
Protective treatment	TC
Electrical shock protection class	Class I conforming to IEC 536
IP degree of protection	IP54 conforming to EN/IEC 60529

Packing Units

Unit Type of Package 1	PCE
Number of Units in Package 1	1
Package 1 Weight	672 G
Package 1 Height	6.5 Cm
Package 1 width	12 Cm
Package 1 Length	17 Cm
Unit Type of Package 2	S03
Number of Units in Package 2	17
Package 2 Weight	11.723 Kg
Package 2 Height	30 Cm
Package 2 width	30 Cm
Package 2 Length	40 Cm

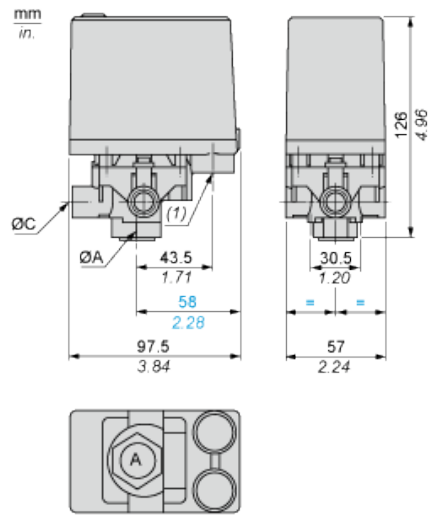
Offer Sustainability

Sustainable offer status	Green Premium product
EU RoHS Directive	Pro-active compliance (Product out of EU RoHS legal scope) EU RoHS Declaration
Mercury free	Yes
RoHS exemption information	Yes
Environmental Disclosure	Product Environmental Profile

Contractual warranty

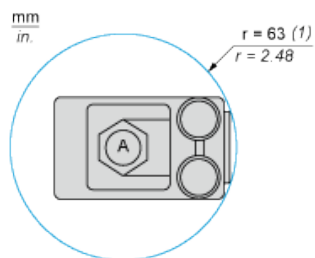
Warranty	18 months
----------	-----------

Dimensions



- (A) G 1/4 (female)
- (1) 2 tapped entries PG 13.5

Minimum Mounting Clearance



(ØA) G 1/4 (female)

(1) Minimum clearance zone for screwing-on pressure switch at point A

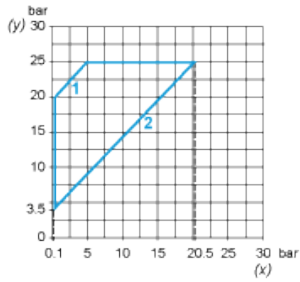
Wiring Diagram

Connections

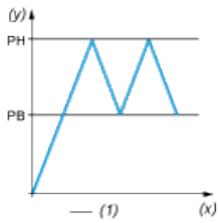


Curves

Operating Curves



- (y) Rising pressure
- (x) Falling pressure
- 1 : Maximum differential
- 2 : Minimum differential



- (y) Pressure
- (x) Time
- (1) Adjustable value