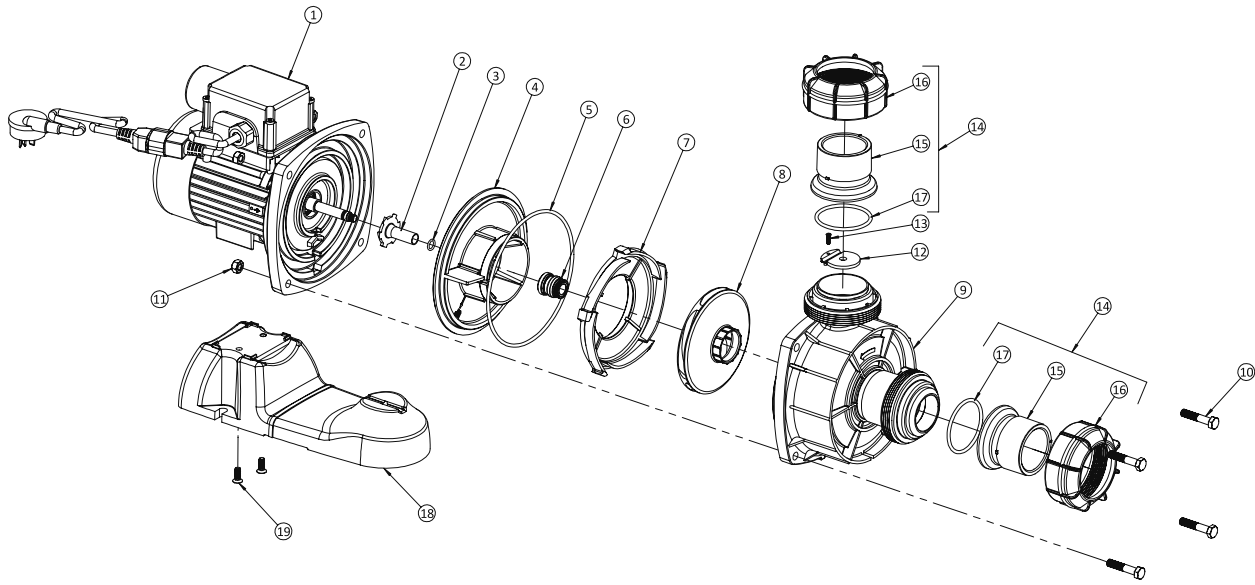


# LEISURETIME® SOLAR PUMP REPLACEMENT PARTS



Item	Description	Part No.	Part No.	Part No.
		LTP400S	LTP550S	LTP750S
1	MOTOR	800738	800442	800442
2	SHAFT SLEEVE	604000	604000	604000
3	O-RING SHAFT SLEEVE	702196	702196	702196
	O-RING SHAFT SLEEVE (10 PACK)	702196K	702196K	702196K
	SHAFT SLEEVE & O-RING KIT (INCLUDES ITEM 2 & 3)	800894K	800894K	800894K
4	BAFFLE	302060K	302060K	302060K
5	ORING-CASING	702206K	702206K	702206K
6	MECHANICAL SEAL	702789K	702789K	702789K
	SEAL KIT (INCLUDES ITEM 2,3,5 & 6)	800582K	800582K	800582K
	MECHANICAL SEAL (25 PACK)	800901	800901	800901
7	DIFFUSER	302200K	302070	302190K
8	IMPELLER	504593K	510803K	504823K
9	CASING & B/UNION ASSEMBLY LTP SOLAR	707426	707426	707426
10	SCREW 5/16inW x 1.1/2in HWF Hd		See Pump Fasteners Kit	
11	NUT 5/16inW HEX Steel		See Pump Fasteners Kit	
	PUMP FASTENERS KIT (INCLUDES ITEM 10 & 11)x4	801300	801300	801300
12	CLACKER	702714	702714	702714
13	SCREW 4GA X 1/2in PAN HD PHIL S	604020	604020	604020
	CLACKER ASSEMBLY (INCLUDES ITEM 12 & 13)	800904K	800904K	800904K
14	BARREL UNION ASSEMBLY(INCLUDES ITEM 15, 16 & 17)x2	800714	800714	800714
15	TAIL PLAIN SWIVEL -BARREL UNION	505435	505435	505435
16	NUT SWIVEL - BARREL UNION	505425	505425	505425
17	ORING -BARREL UNION	702193	702193	702193
18	BASE	304600	304600	304600
19	SCREW M6 x 16mm C/SNK HD Phlps	703875	703875	703875
	BASE & SCREWS KIT (INCLUDES ITEM 18 & 19)	800532	800532	800532