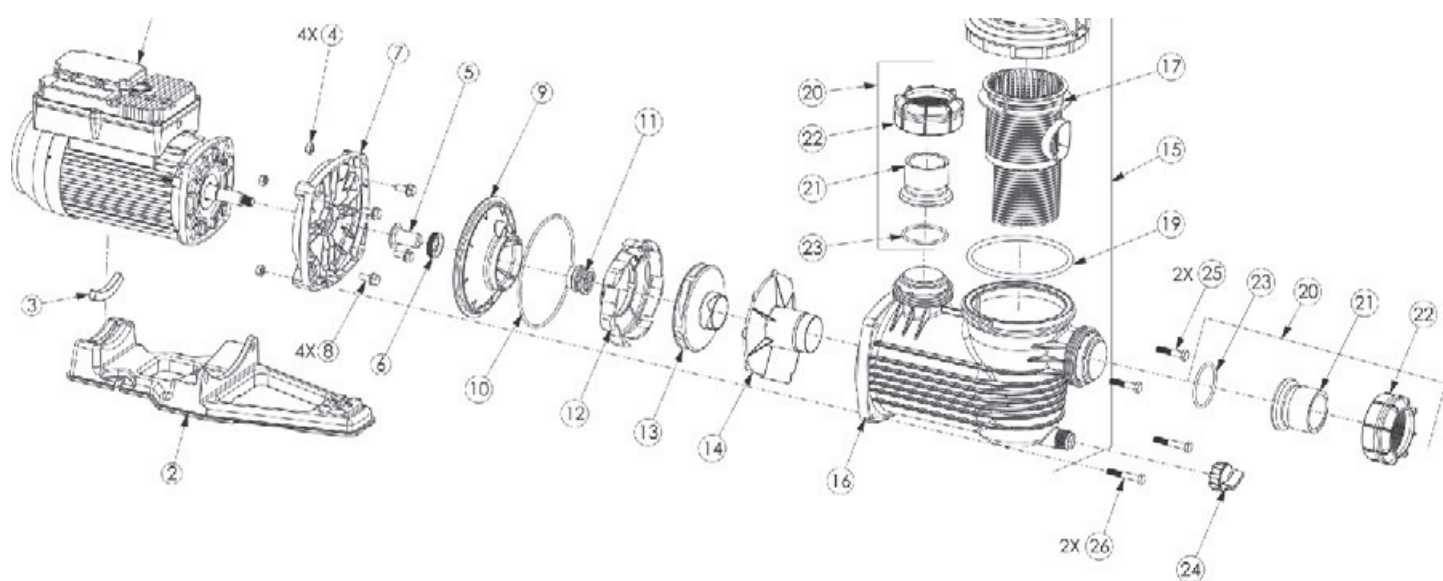


Spare Parts



Item	Description	Part No.
1	MOTOR	801956
2	BASE	702509
4	NUT 5/16inW HEX ST/ST	SEE FASTENERS KIT
5	SHAFT SLEEVE	SEE SEAL KIT
6	ORING SHAFT SLEEVE	SEE SEAL KIT
7	YOKE AND LIP SEAL	412050
8	SCREW 5/16inW x 3/4in HWF S/S	702770
9	BAFFLE	305300
10	ORING CASING	305300
11	MECHANICAL SEAL	SEE SEAL KIT
	SEAL KIT (INCLUDES ITEMS 5,6,10&11)	800583K
	MECHANICAL SEAL (PACK OF 25)	801303
12	DIFFUSER	303460K
13	IMPELLER	506840K
14	SEPERATOR PLATE	408730
15	CASING ASSEMBLY (INCLUDES ITEMS 16.17,18&19)	801200
16	CASING PANTERA POOL	SEE CASING ASSEMBLY
17	STRAINER BASKET	302310
18	LID	SEE CASING ASSEMBLY / LID & O-RING KIT
19	O-RING CASING & LID	SEE CASING ASSEMBLY / LID & O-RING KIT
	LID & O-RING KIT (INCLUDES ITEMS 18&19)	800897K
20	BARREL UNION KIT(INCLUDES ITEMS 21,22&23)	800714
23	O-RING TAIL & NUT	702193
24	DRAIN PLUG 3/4" BSP FEMALE	504605
25	SCREW 5/16inW x 1.1/2in HWF SS	SEE FASTNERES KIT
	FASTENERS KIT (INCLUDES ITEMS 4&25 x4)	801278

Genuine Onga Spare Parts Supplied By:

ARGON
DISTRIBUTORS LTD

Freephone 0508 634 341

7 Monier Pl, Mt Wellington, Auckland 1060, New Zealand