



KP 80-120 2" Series

The Davies Pumps KP model is a rugged cast iron single impeller pump with close coupled motor design for simple and reliable operation. Closed impeller design and 2" ports makes these an ideal pump for rural or industrial applications such as wash down, transfer or chilled water circulation.

Pump Features

- Cast Iron Housings
- Single impeller
- Robust and reliable
- Maximum liquid temperature 90 degrees
- Flows up to 600lpm
- Pressure up to 29m

DAVIES KP SERIES

Part No.	HP	kW	Phase	Volts	Amps
220-KP80M	0.8	0.59	1	230	4.5
220-KP100M	1.0	0.74	1	230	5.4
220-KP120M	1.2	0.90	1	230	6.0
220-KP120T	1.2	0.90	3	415	2.3

FARMING



INDUSTRIAL

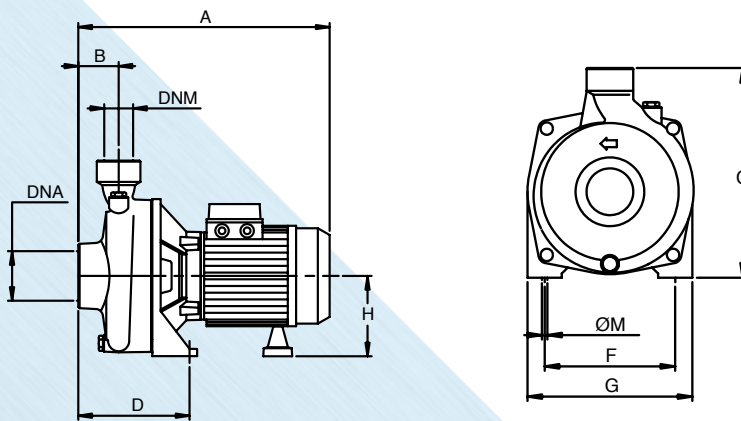
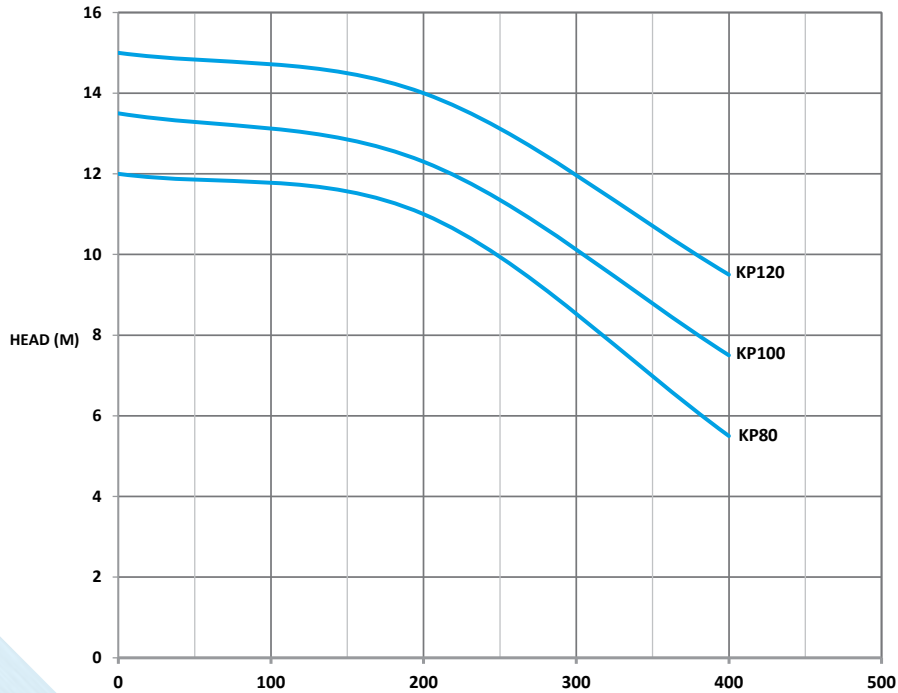


WATER TRANSFER



KP 80-120 2" SERIES

Performance:



DIMENSION AND SPECIFICATIONS

Model	A	B	C	D	F	G	H	DNA	DNM
KP80	300	52	247	125	140	180	97	2"	2"
KP100	300	52	247	125	140	180	97	2"	2"
KP120	300	52	247	125	140	180	97	2"	2"