



## KL Series

The Davies Pumps KL model is a rugged cast iron single impeller pump with close coupled motor design for simple and reliable operation. Closed impeller design with large 3" ports make this model perfect for rural or industrial applications such as bulk transfer or flood irrigation where high flow rates but low pressures are required.

### Pump Features

- Cast Iron Housings
- Single impeller
- Robust and reliable
- Maximum liquid temperature 90 degrees
- Flows up to 1000lpm
- Pressure up to 17m

### DAVIES KL SERIES

Part No.	HP	kW	Phase	Volts	Amps
220-KL200M	2	1.47	1	230	10.5
220-KL200T	2	1.47	3	400	4.3
220-KL300T	3	2.2	3	400	5.1

FARMING



INDUSTRIAL

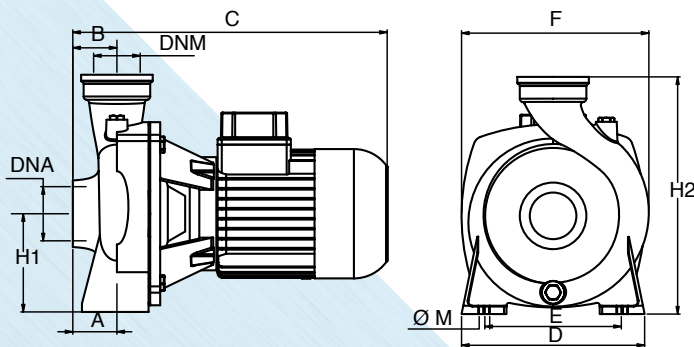
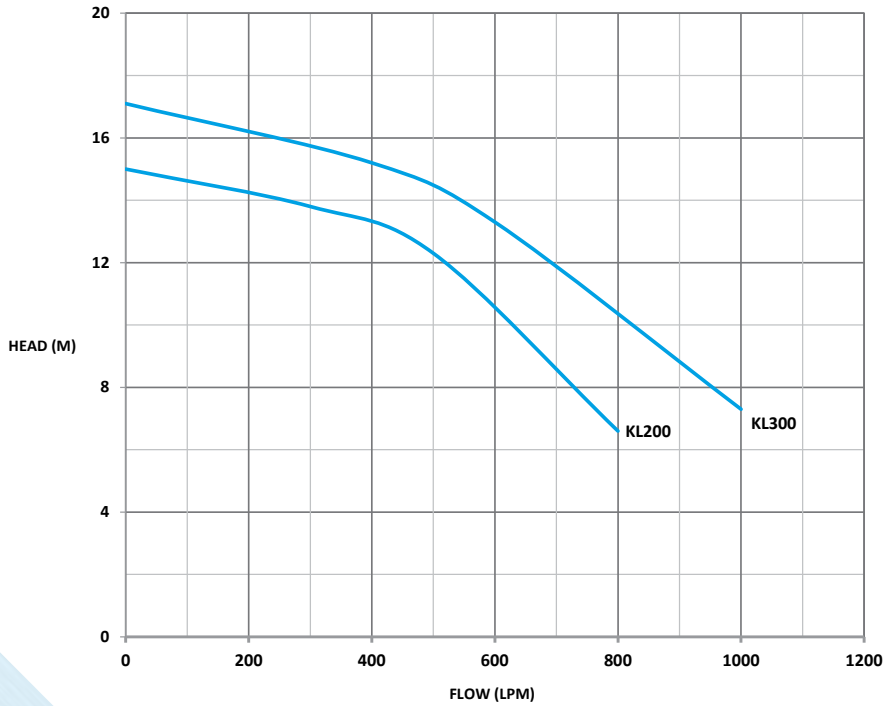


WATER TRANSFER



# KL SERIES

## Performance:



### DIMENSION AND SPECIFICATIONS

Model	A	B	C	D	E	F	ØM	H1	H2	DNA	DN	Kg
<b>KL200</b>	40	80	409	225	160	230	11	118	310	3"	3"	31.5
<b>KL300</b>	40	80	421	225	160	230	11	118	310	3"	3"	33.2