



## KA Series

The Davies Pumps KA series are rugged cast iron single impeller pumps with close coupled motor design for simple and reliable operation. Open face impeller design makes these ideal for use as a high volume and low pressure transfer or circulation pump where small impurities may be in liquid which would clog a normal closed impeller type pump.

### Pump Features

- Cast Iron Housings
- Single open face impeller
- Robust and reliable
- Maximum liquid temperature 90 degrees
- Flows up to 450lpm
- Pressure up to 20m

**DAVIES KA SERIES – SINGLE IMPELLER**

Part No.	HP	kW	Phase	Volts
220-KA80M	0.8	0.59	1	230
220-KA100M	1.0	0.74	1	230
220-KA150M	1.5	1.1	1	230
220-KA150T	1.5	1.1	3	415
220-KA200M	2.0	1.5	1	230
220-KA200T	2.0	1.5	3	415

FARMING



INDUSTRIAL

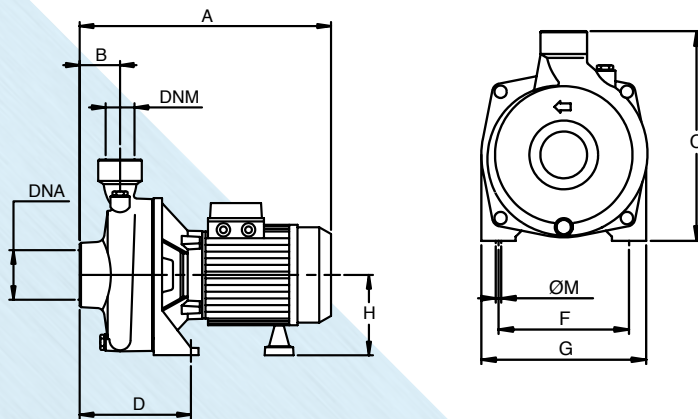
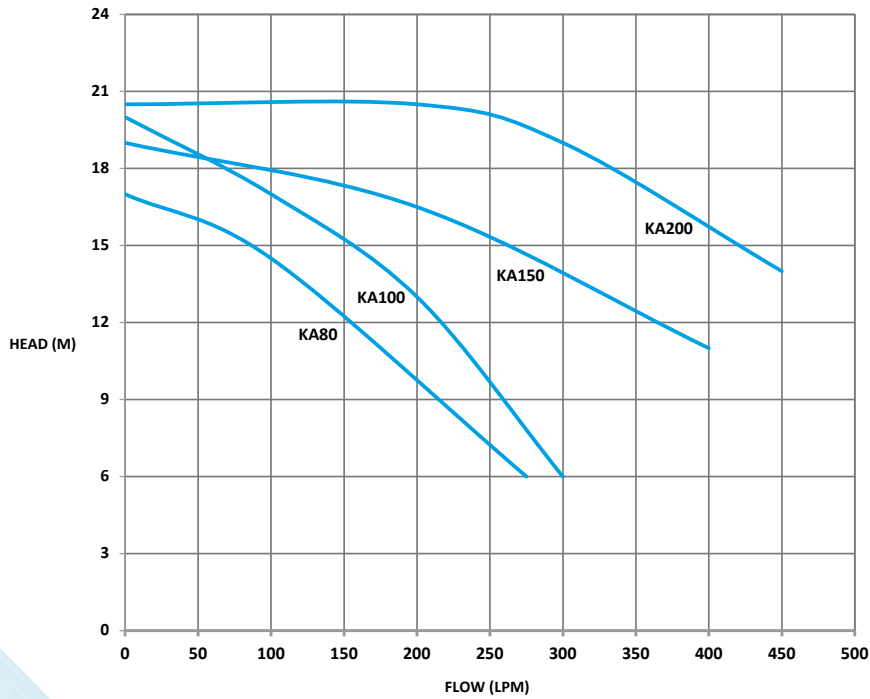


WATER TRANSFER



# KA SERIES

## Performance:



### DIMENSIONS AND SPECIFICATIONS

Model No.	A	B	C	D	F	G	H	DNR	DNM
KA80	288	40	237	114	140	180	97	1 1/2"	1 1/2"
KA100	288	40	237	114	180	180	97	1 1/2"	1 1/2"
KA150	349	42	260	149	149	199	110	1 1/2"	1 1/2"
KA200	349	42	260	136	149	199	110	1 1/2"	1 1/2"